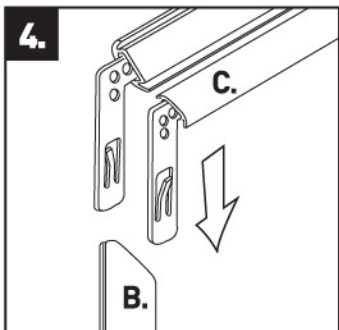
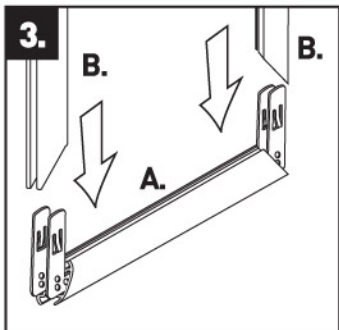
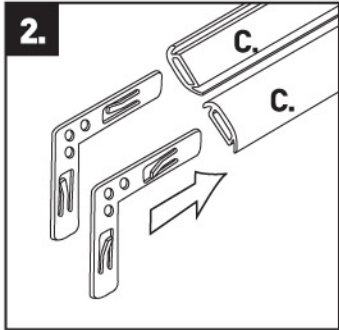
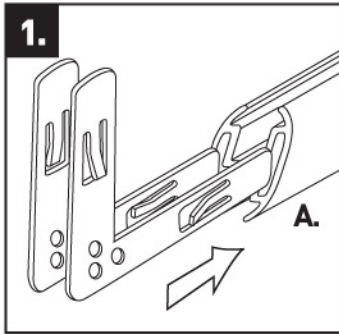
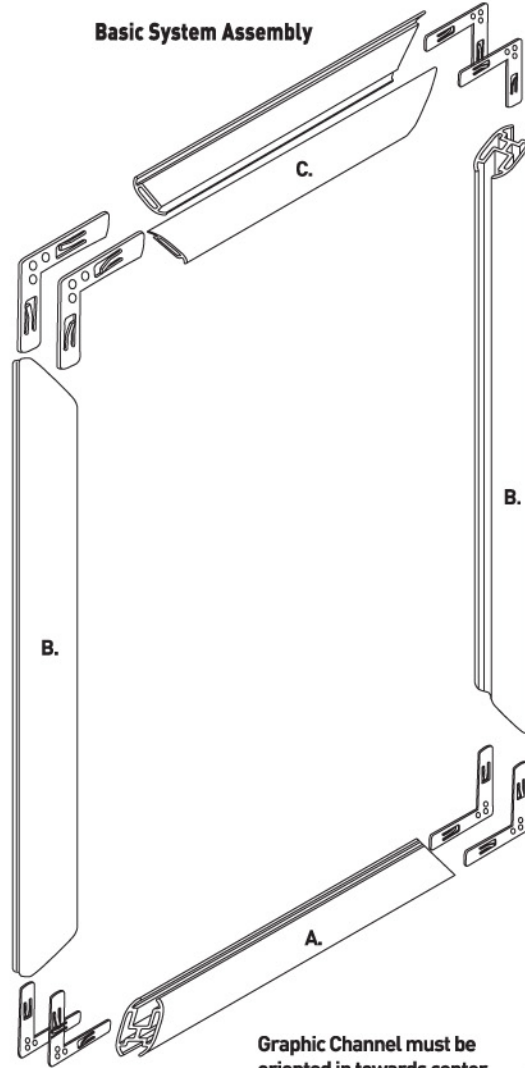


Note: Please layout parts in order on the floor before assembly.

## Steps

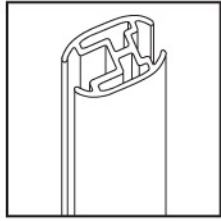


## Basic System Assembly

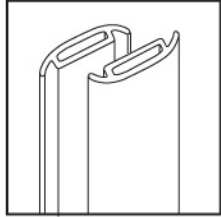


## Parts

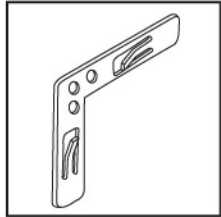
A. & B. Solid Rails



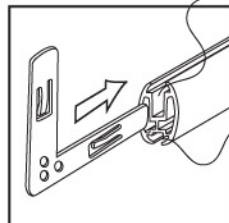
C. Split Rails



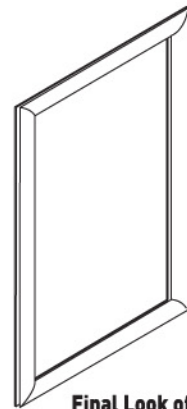
Corner Bracket



Graphic Channel must be oriented in towards center of frame correctly for frame to work!



Clip Channel



Final Look of Your System