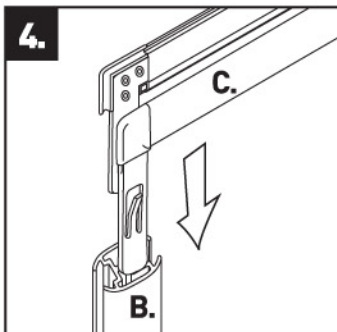
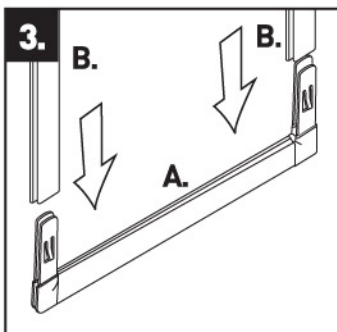
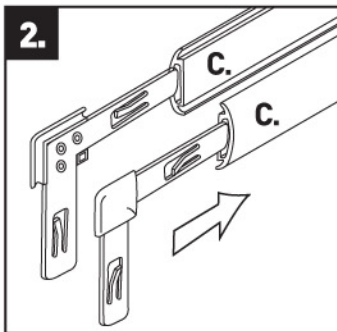
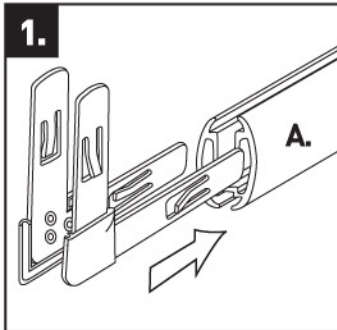


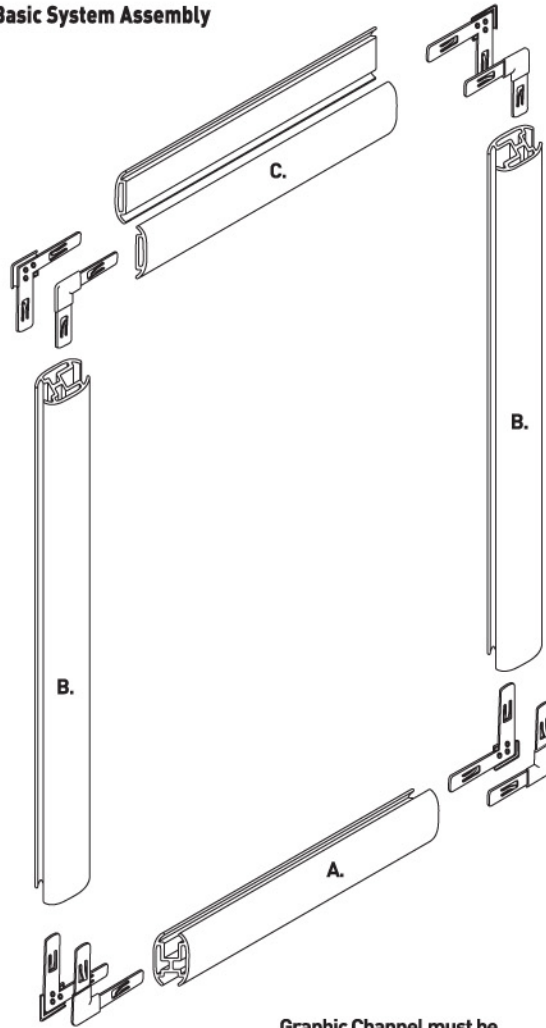
3/16" compatible

Note: Please layout parts in order on the floor before assembly.

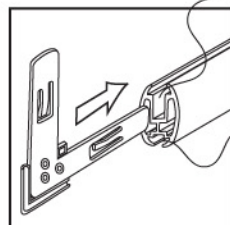
Steps



Basic System Assembly

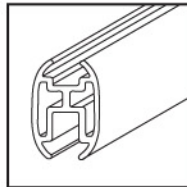


Graphic Channel must be oriented in towards center of frame correctly for frame to work!

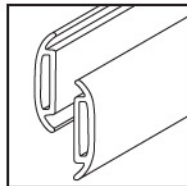


Clip Channel

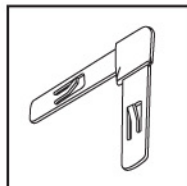
Parts



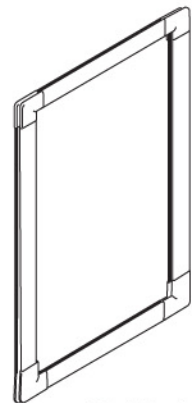
A & B. Solid Rails



C. Split Rails



Corner Bracket



Final Look of Your System