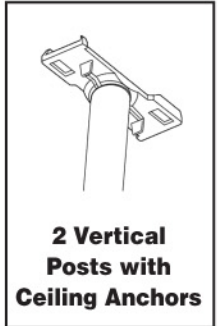
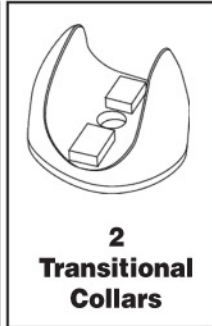
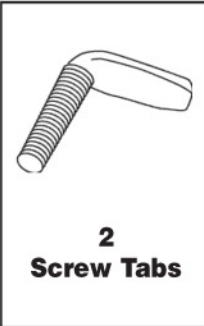
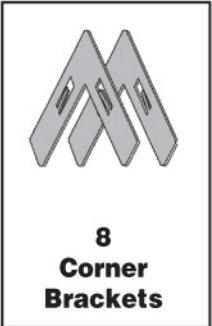
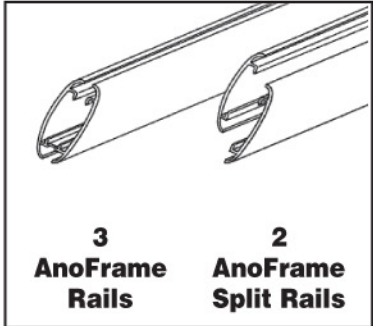


Parts

Instruction Sheet (page 1 of 2)



Instructions For Assembly

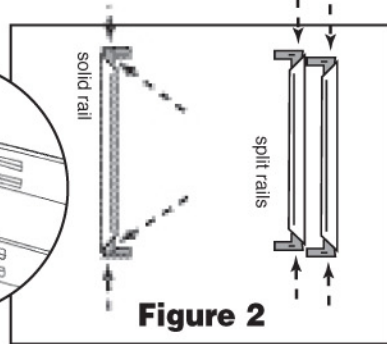
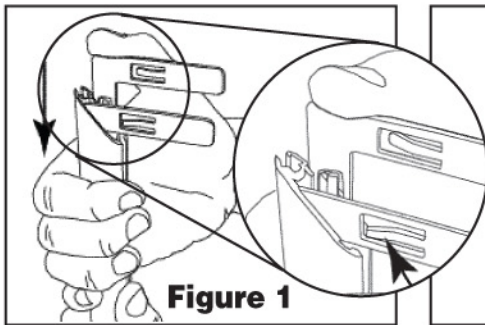
Step 1

Locate the two split rails and the solid rail that is the same length as the split rails.

Insert two corner brackets into each end of the solid side Ano rail. Insert one corner bracket into each end of each split side Ano rail.

Fig. 1 & Fig. 2

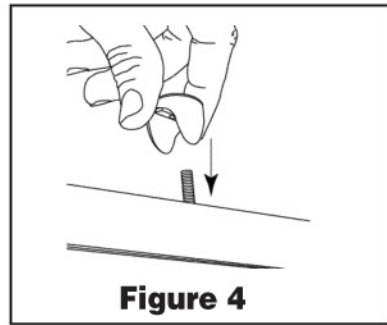
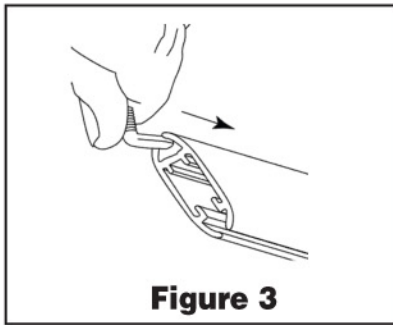
Note: Tension tabs on corner brackets face towards outside of frame.



Step 2

Slide both screw tabs into channel of top Ano rail. Fig. 3.

Place one near each end of frame.



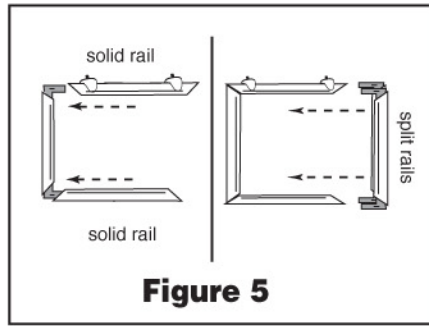
Step 3

Place one transitional collar over each screw tab and push onto frame. Fig. 4.

Step 4

Finish assembling frame following the sequence in Fig. 5.

Note: Available in either round or square profile.



Instruction Sheet (page 2 of 2)

Instructions For assembly

Step 5

Screw vertical posts with ceiling anchors onto screw tabs on frame. Tighten. Fig. 6

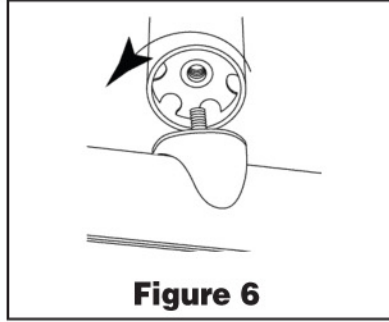


Figure 6

Step 6

Slide your graphic into the AnoFrame. Fig. 7

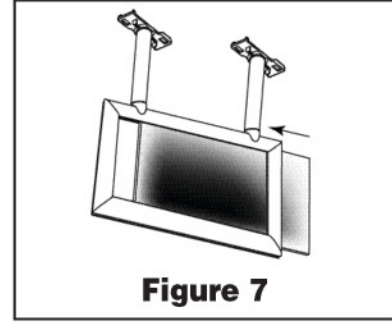


Figure 7

Step 7

With your hand, twist ceiling anchors onto ceiling grid. Fig 8
You will hear the ceiling anchors snap into place.

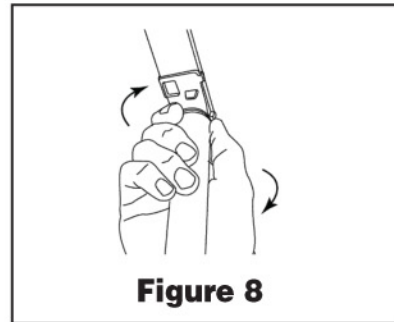
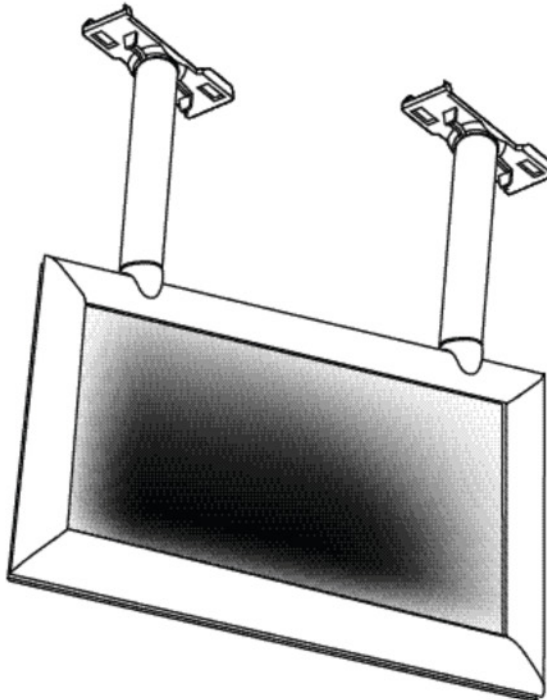


Figure 8



Finished Look

Note: Available in either round or square profile.