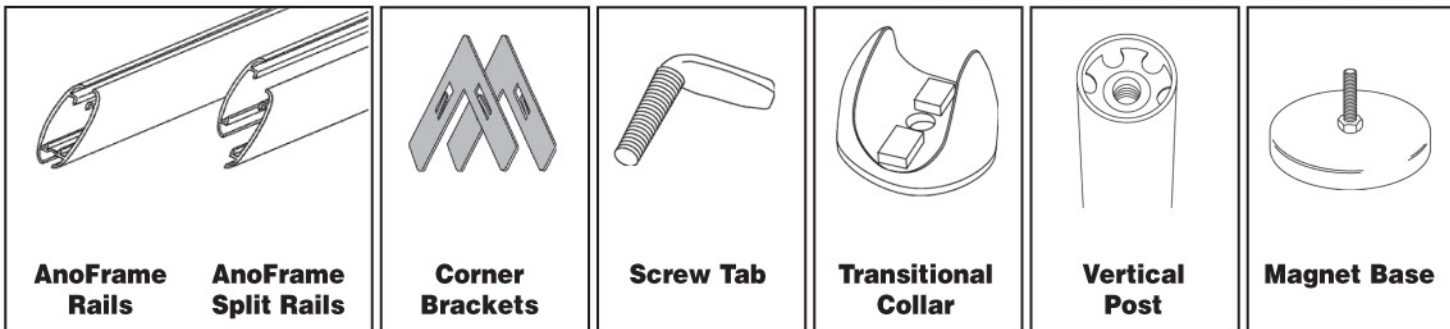


Parts

Instruction Sheet (page 1 of 2)



Instructions For Assembly

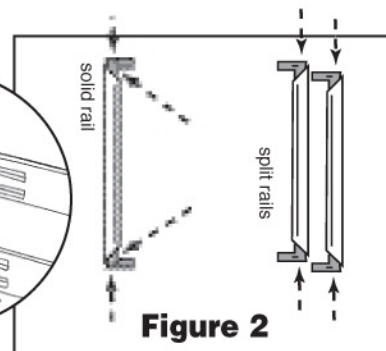
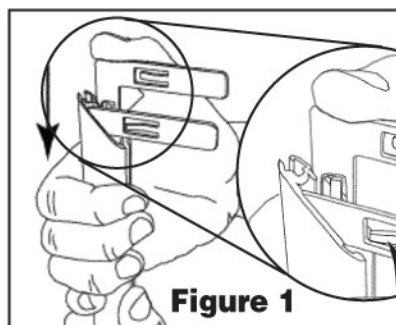
Step 1

Locate the two split rails and the solid rail that is the same length as the split rails.

Insert corner brackets into side AnoFrame rails. Insert two corner brackets into each end of the solid side Ano rail. Insert one corner bracket into each end of each split side Ano rail.

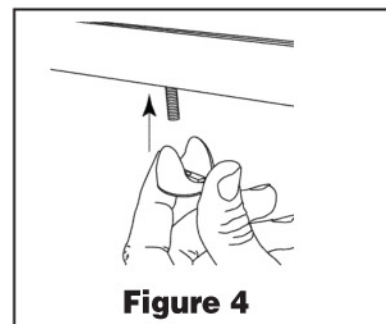
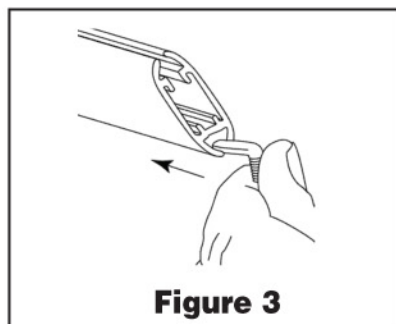
Fig. 1 & Fig. 2

Note: Tension tabs on corner brackets face towards outside of frame.



Step 2

Slide screw tab into channel of bottom Ano rail. Fig. 3.



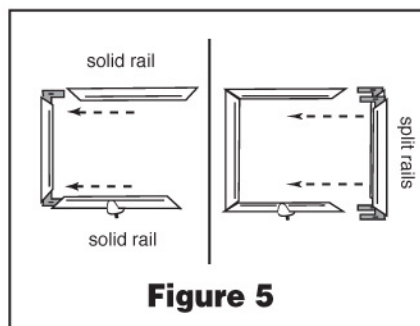
Step 3

Place transitional collar over screw tab and push onto frame. Fig. 4.

Step 4

Finish assembling frame following the sequence in Fig. 5.

Note: Placement of split rails will depend on type of frame. Split rails will be on the top for top-loading frames and on the side for side-loading frames.



Note: Available in round and square profile.

Instructions For assembly

Step 5

Screw vertical post onto screw tab on frame and tighten. **Fig. 6**

Note: Use the end of the post with the smaller opening.

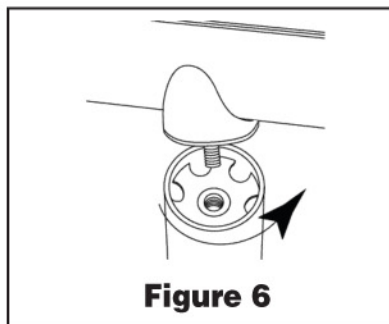


Figure 6

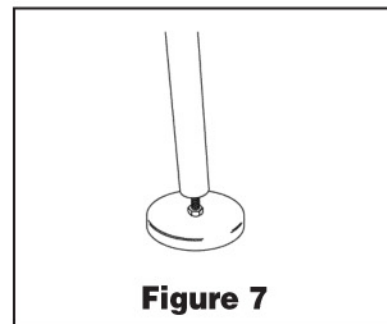


Figure 7

Step 6

Screw the vertical post onto the magnet base and tighten. **Fig 7**

Step 7

Slide your graphic into the AnoFrame. **Fig. 8**

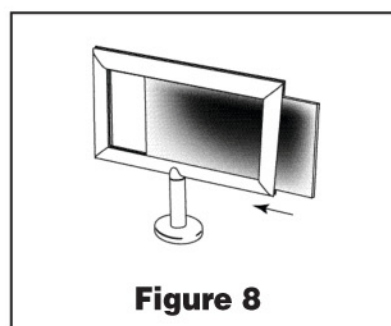
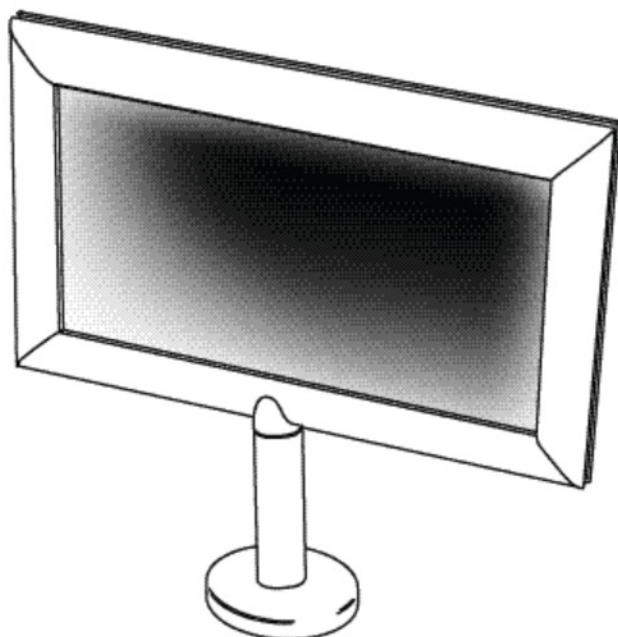


Figure 8



Finished Look

Please note: Depending on the size of your frame, you may require 2 poles and bases.