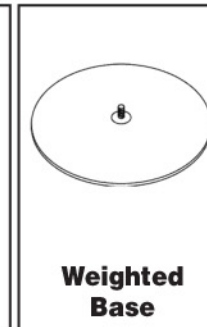
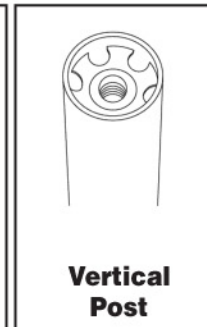
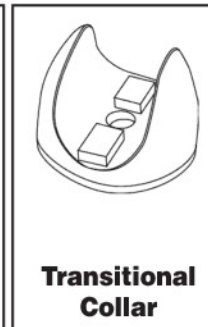
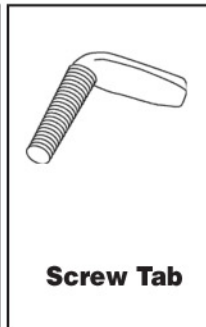
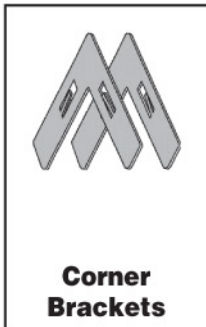
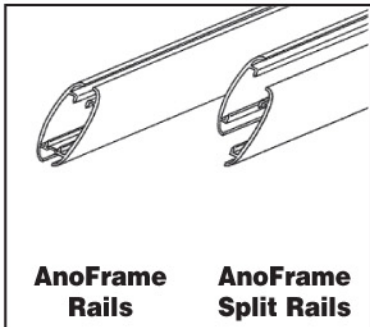


## Parts

## Instruction Sheet (page 1 of 2)



## Instructions For Assembly

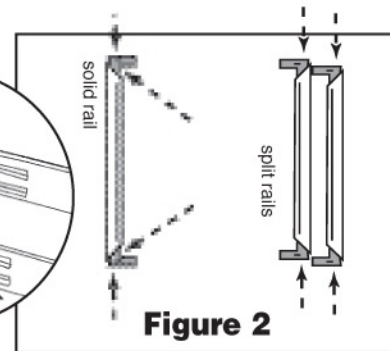
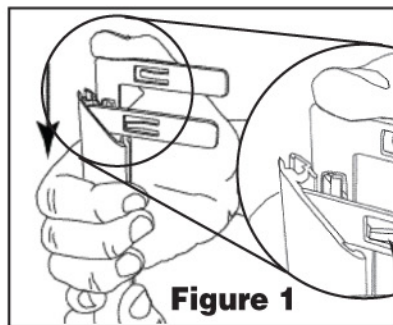
### Step 1

Locate the two split rails and the solid rail that is the same length as the split rails.

Insert corner brackets into side Ano-Frame rails. Insert two corner brackets into each end of the solid side Ano rail. Insert one corner bracket into each end of each split side Ano rail.

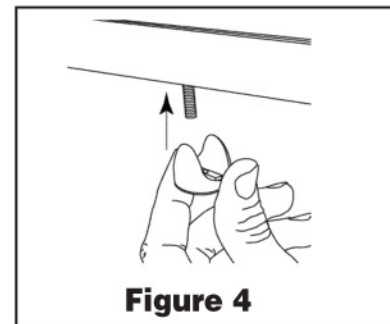
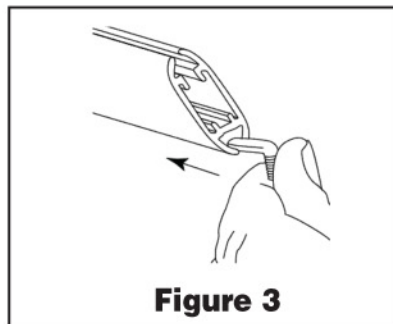
Fig. 1 & Fig. 2

Note: Tension tabs on corner brackets face towards outside of frame.



### Step 2

Slide screw tab into channel of bottom Ano rail. Fig. 3.



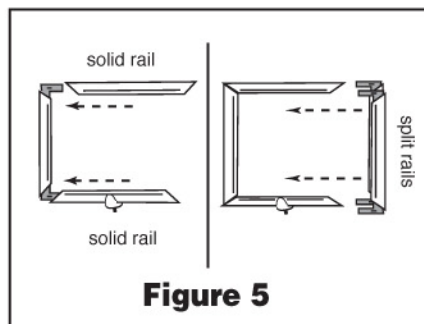
### Step 3

Place transitional collar over screw tab and push onto frame. Fig. 4.

### Step 4

Finish assembling frame following the sequence in Fig. 5.

Note: Placement of split rails will depend on type of frame. Split rails will be on the top for top-loading frames and on the side for side-loading frames.



## Instruction Sheet (page 2 of 2)

### Instructions For assembly

#### Step 5

Screw vertical post onto screw tab and tighten. Fig. 6

Note: Use the end of the post with the smaller opening.

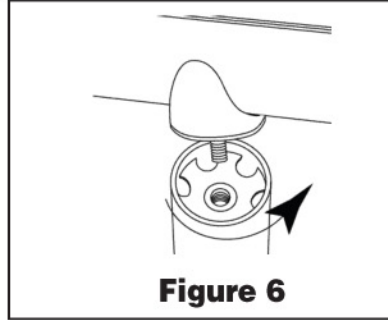


Figure 6

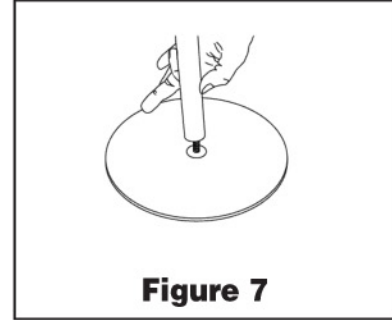


Figure 7

#### Step 6

Screw the vertical post onto the weighted base and tighten. Fig 7

#### Step 7

Slide your graphic into the AnoFrame. Fig. 8

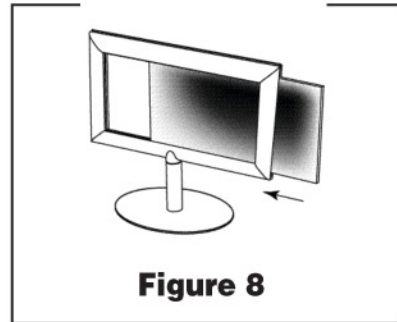
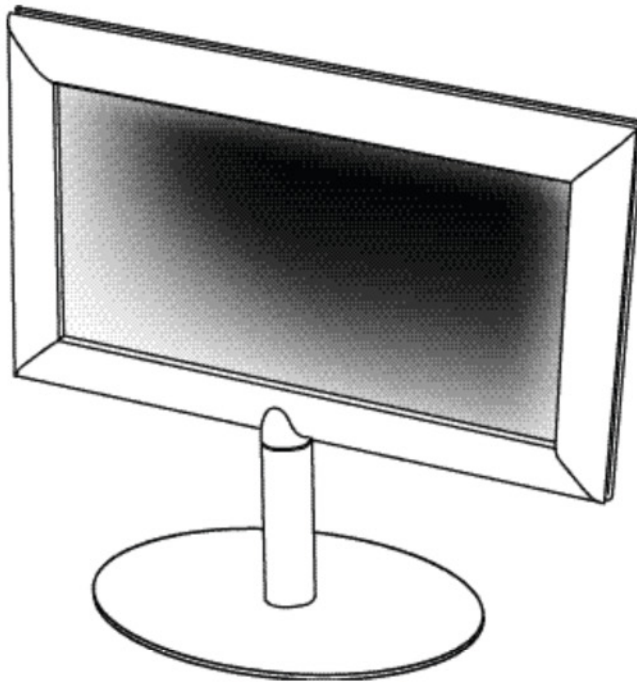


Figure 8



Finished Look