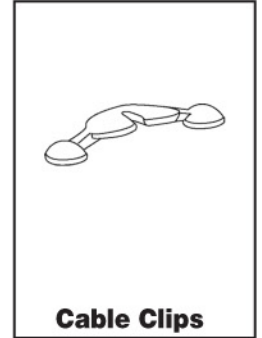
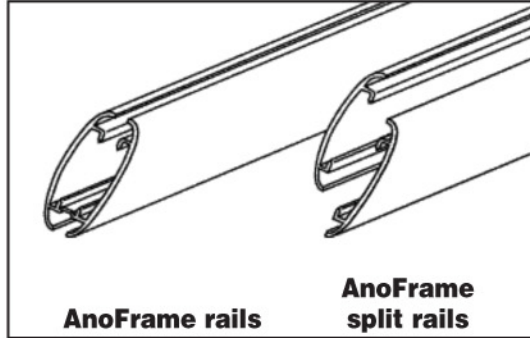
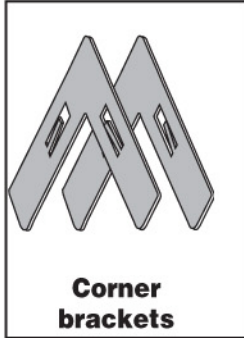


**Parts**



**Instructions for assembly**

**Step 1**

Insert corner brackets into vertical AnoFrame sides. **Fig. 1 & Fig. 2.** **Note: Assembly brackets tension tabs face towards outside of frames.** Split rail side is made up of 2 separate pieces.

**Step 2**

Insert single ball of ball chain into inner channel of Cable Clip. The cable should snap into place. **Fig. 3**

**Step 3**

Align one round end of cable clip with top channel of the aluminum rail and insert. Once in place, insert end of ball chain into channel. Then press down on the other round end of the cable clip and slide into rail by pushing on the clip. **Fig. 4** Repeat steps 2 & 3 to insert second cable clip into opposite end of rail.

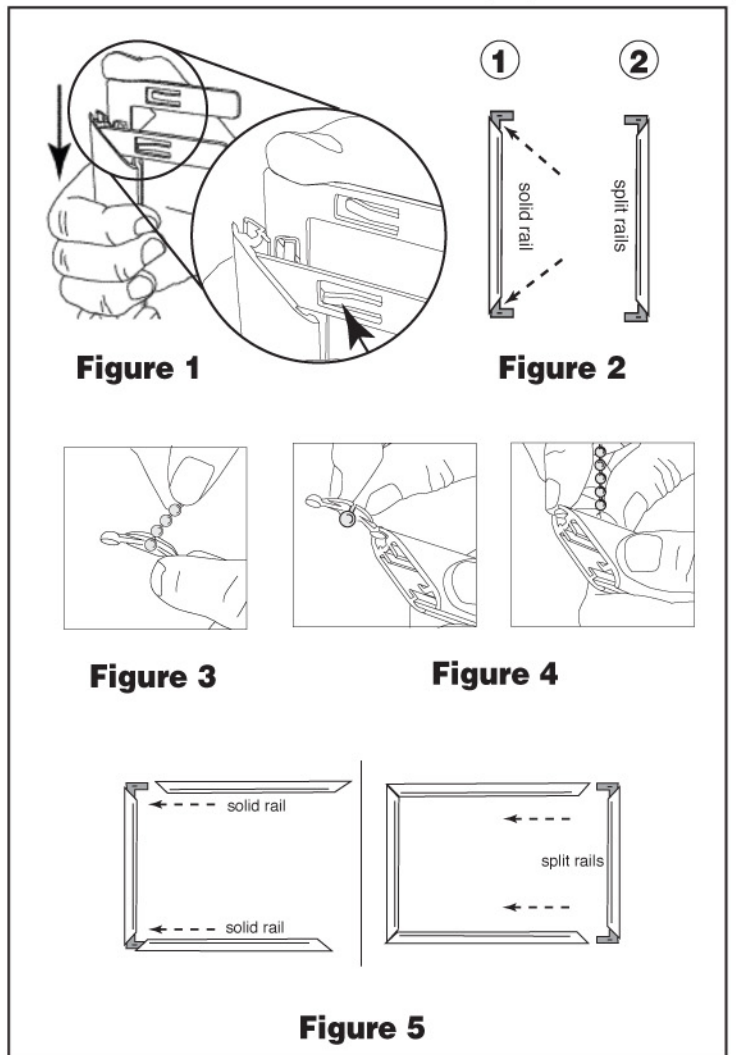
Place each cable clip with ball chain as close to the end of the rails as possible.

**Note: Be sure to push on the cable clip in order to slide the ball chain into place. Do not pull on, or push against the ball chain as this will cause it to bind in the channel.**

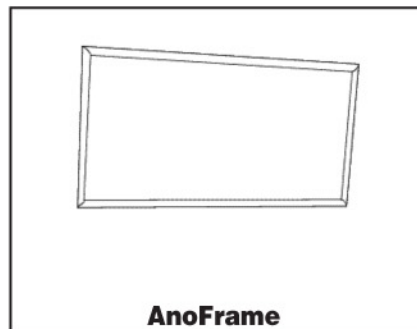
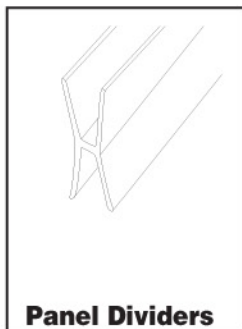
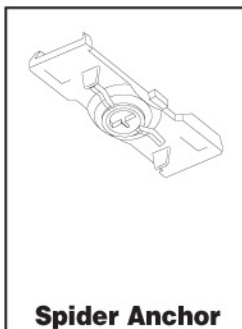
**Step 4**

Assemble frame following steps in. **Fig. 5** sliding sides together in the order shown.

Instructions illustrate a side-load frame. Assembly steps are the same for top-load.



**Parts**

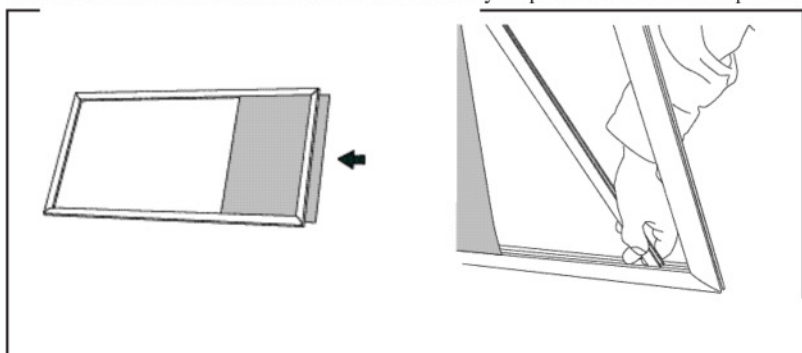


**Instructions for Assembly**

Instructions illustrate a side-load frame. Assembly steps are the same for top-load.

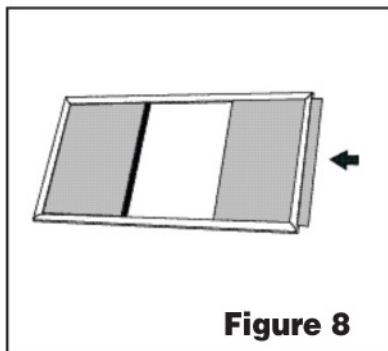
**Step 5**

Insert graphic for first panel. **Fig. 6** Slide all the way to end of frame.



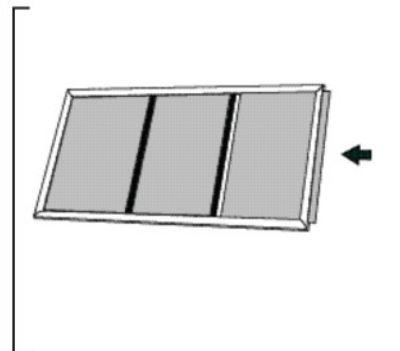
**Step 6**

Insert one Panel Divider. Pinch ends slightly to fit into frame rails. **Fig. 7**  
\* Do not bend Panel Divider.  
Slide Panel Divider towards graphic until it captures graphic panel.



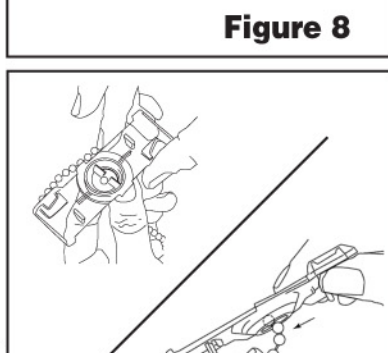
**Step 7**

Insert graphic for second panel. **Fig. 8** Slide it into channel of first Panel Divider.



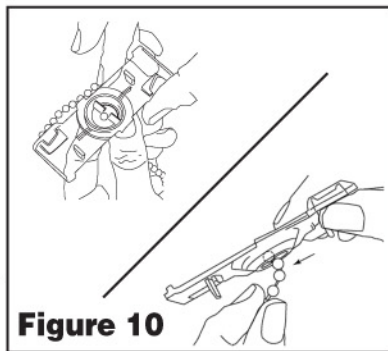
**Step 8**

Insert another Panel Divider. Follow instructions from Step 7.



**Step 9**

Insert graphic for third panel. **Fig. 9** Slide it into channel of second Panel Divider.



**Step 10**

Push one ball chain through hole in bottom of each Spider Anchor. Let end of ball chain fall into pocket next to the hole. Pull remainder of ball chain back through hole snapping end of ball chain into the pocket of the anchor. **Fig. 10** Twist Spider Anchors onto ceiling grid.

