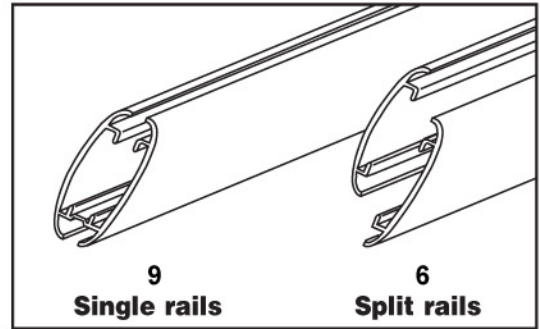
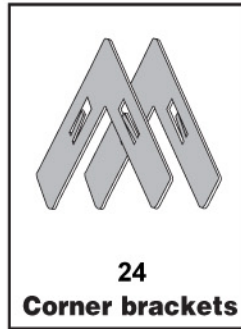
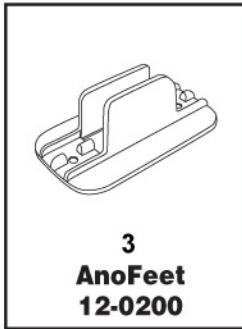


## Parts



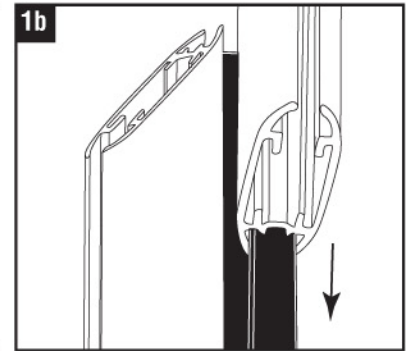
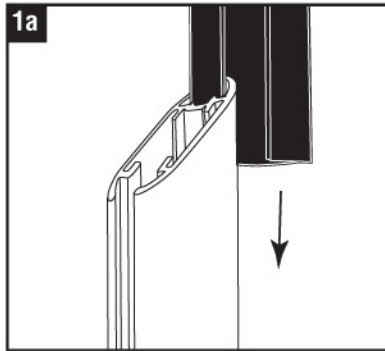
## Instructions for Assembly

### Note:

We recommended that two people assemble this kiosk.

### Step 1a

Slide spine into vertical rail.

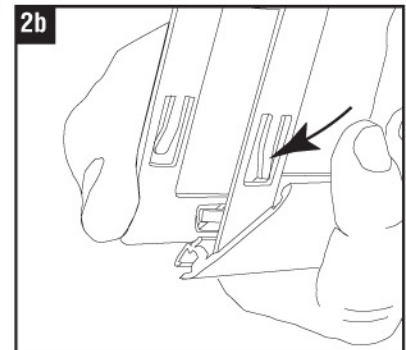
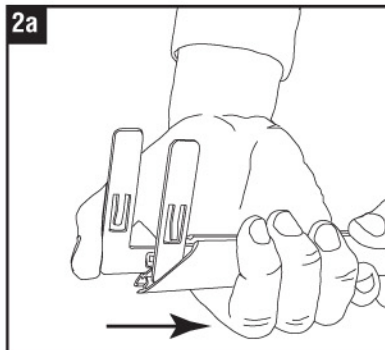


### Step 1b

Slide another vertical rail onto the other edge of spine. Repeat for all vertical rails and spines.

### Step 2

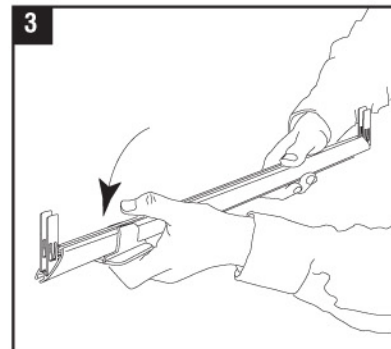
Carefully insert corner brackets into ends of bottom rails, using thumb as shown in illustration. Two brackets per end of each rail. Bracket can bend if forced.



**Detail-** It is important that the corner bracket tension tab faces toward outside of frame. (2b)

### Step 3

Snap lower base Ano rail sections into either base rail or AnoFeet.



(Continued on other side)

### Instructions for Assembly continued

#### Step 4

Lay out the bottom rails on the floor as they will be configured.

#### Step 5

Assemble the vertical rail assemblies onto the upward facing corner brackets already inserted into the bottom rails. All four brackets should go into the vertical rails at one time.

**Note:** (4 way only) The last vertical rail will be tensioned. This is normal.

#### Step 6

Insert corner brackets into ends of split rails, 1 per end. Use thumb as shown in illustration.

#### Step 7

Assemble split rails onto top ends of vertical rails, one inside and one outside of each side of the AnoKiosk.

#### Step 8

Insert and change signs through top of each side.

