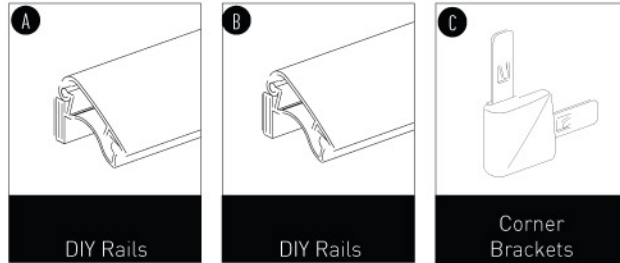


Parts

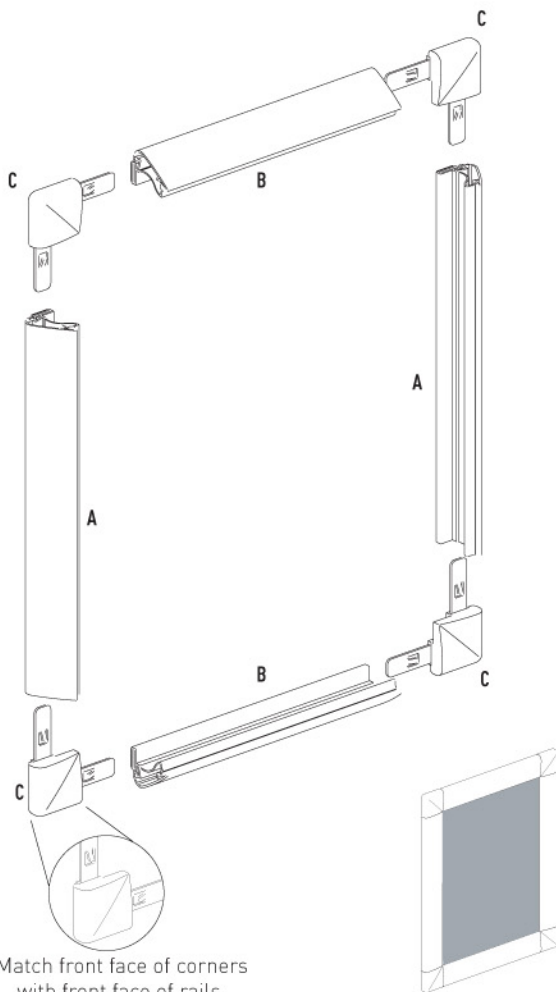


Frame Dimensions:

Width:

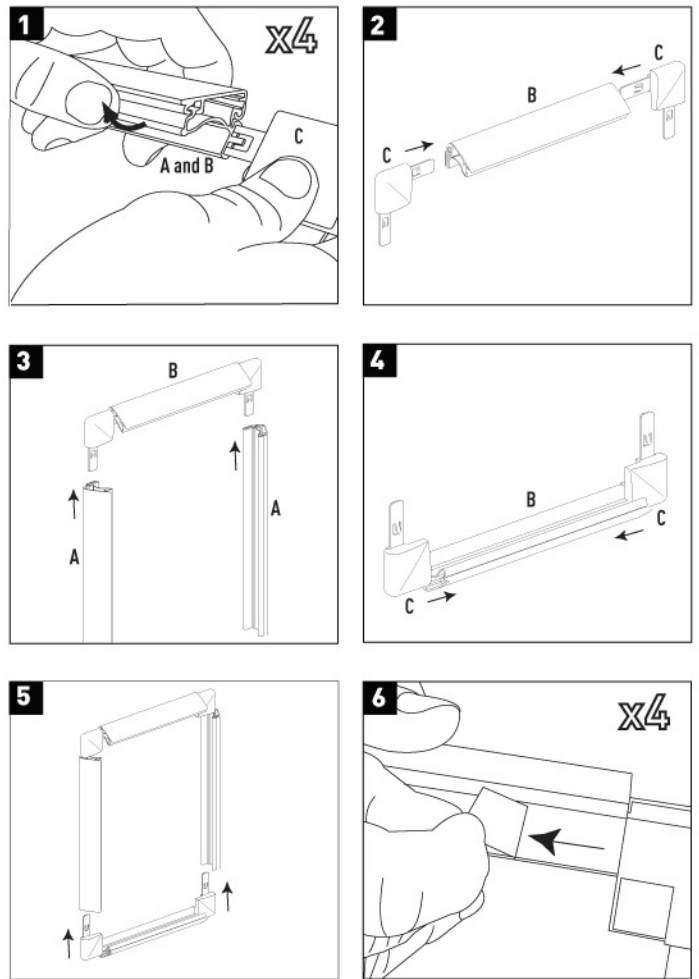
Height:

Note: Please layout parts in order on the floor before assembly. Instructions are the same for both profiles (round and square).



Match front face of corners with front face of rails.

Steps



Insert graphic and snap rails closed.