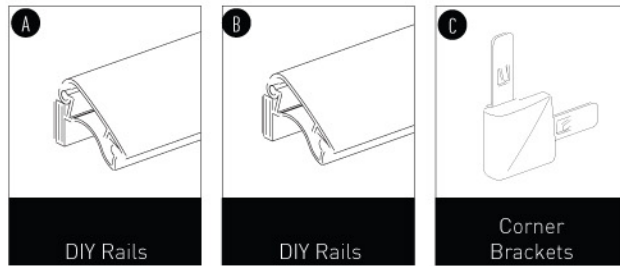


Parts

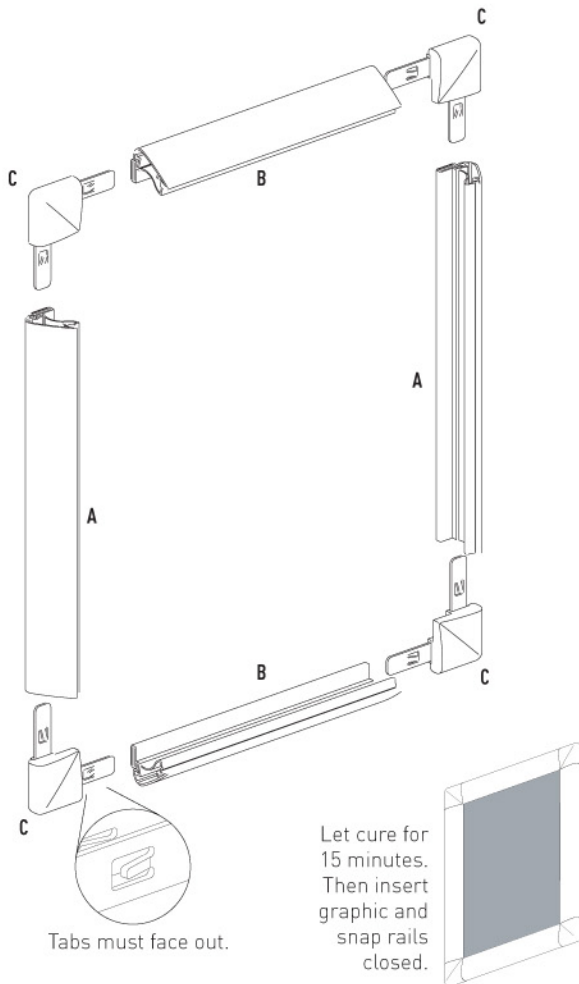


Frame Dimensions:

Width:

Height:

Note: Please layout parts in order on the floor before assembly. Instructions are the same for both profiles (round and square).



Steps

