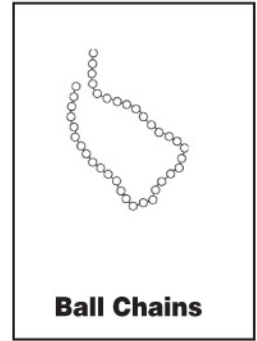
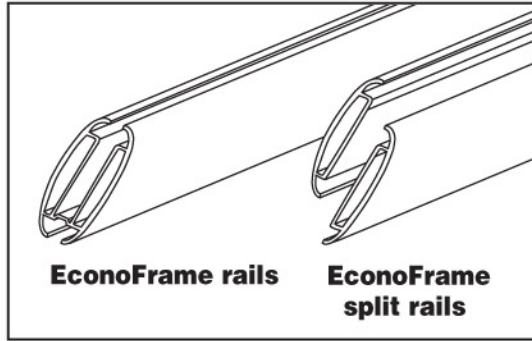
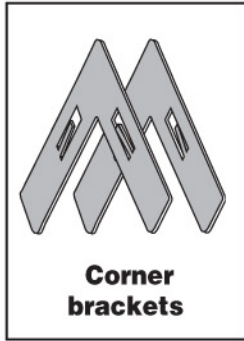
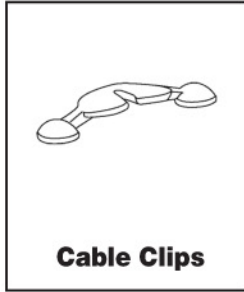


### Parts



### Instructions for Hanging

#### Step 1

Insert corner brackets into split rails and into rail opposite split rail. Split rail side is made up of two separate pieces. **Fig. 1**

**Note:** Corner bracket tension tabs must face toward inside of frame.

#### Step 2

Insert single ball of ball chain into inner channel of Cable Clip. The cable should snap into place. **Fig. 3**

#### Step 3

Align one round end of cable clip with top channel of the rail and insert. Once in place, insert end of ball chain into channel. Then press down on the other round end of the cable clip and slide into rail by pushing on the clip. **Fig. 4** Repeat steps 2 & 3 for second CableClip.

**Note:** Be sure to push on the cable clip in order to slide the ball chain into place. Do not pull on, or push against, the ball chain as this will cause it to bind in the channel.

#### Step 4

Assemble frame following steps in. **Fig. 4** sliding sides together in the order shown.

#### Step 5

Insert poster. **Fig 5.**

