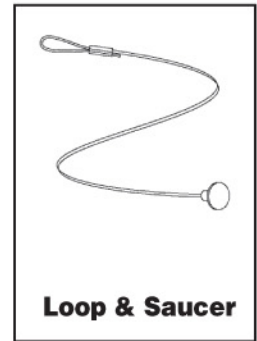
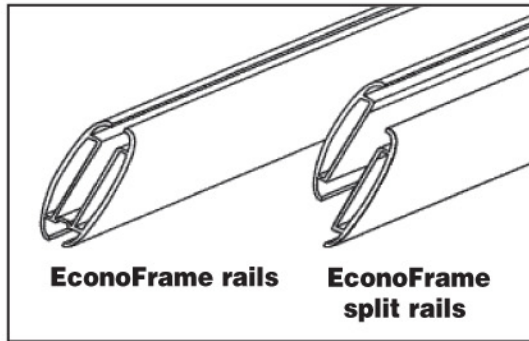
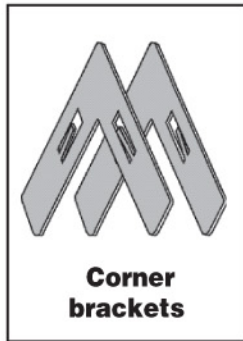
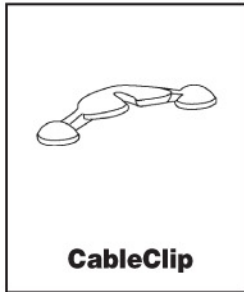


Parts



Instructions for Hanging

Step 1

Insert corner brackets into split rails and into rail opposite split rail. Split rail side is made up of two separate pieces. **Fig. 1**

Note: Corner bracket tension tabs must face toward inside of frame.

Step 2

Place cable into inner channel of CableClip. The cable should snap into place. **Fig. 2**

Step 3

Align one end of the CableClip with the top channel of the frame. Then insert one round end, press down on the other round end and slide CableClip into rail. **Fig. 3** Repeat steps 2 & 3 for second CableClip.

Step 4

Assemble frame following steps in **Fig. 4** sliding sides together in the order shown.

Step 5

Insert poster. **Fig 5.**

