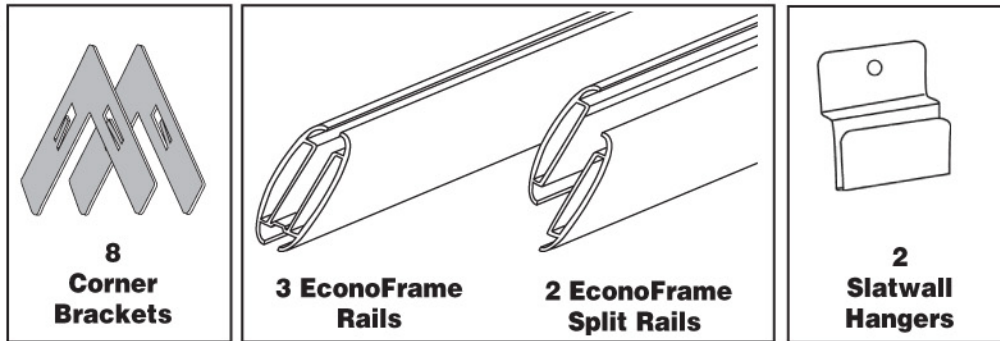


Parts



Instructions For Hanging

Step 1

Locate the two split rails and the solid rail that is the same length as the split rails.

Insert corner brackets into side EconoFrame rails. Insert two corner brackets into each end of the solid side rail. Insert one corner bracket into each end of each split side rail. **Fig. 1 & Fig. 2**

Note: Tension tabs on corner brackets face towards outside of frame.

Step 2

Finish assembling frame by following sequence in **Fig. 3**.

Step 3

Insert hangers into upper portion of slatwall. **Fig. 4**

Note: To ensure that the frame hangs level use two hangers placed an equal distance in from each side of the frame.

Step 4

Place the AnoFrame on the hangers using the bottom channel of the top Ano rail. **Fig 5**

Note: The EconoFrame shown here is a round profile. It is available in either square or round profile.

