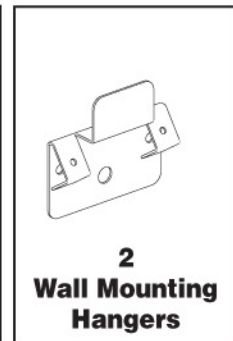
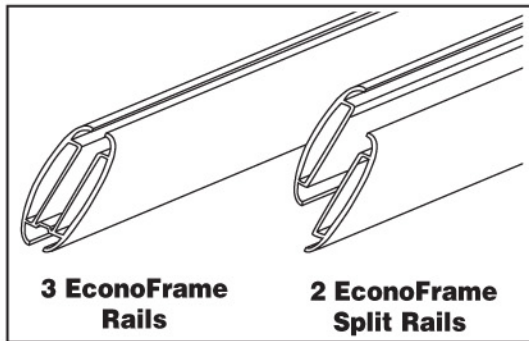
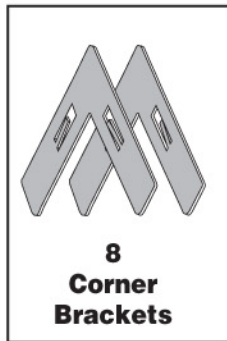


Parts



Instructions For Hanging

Step 1

Locate the two split rails and the solid rail that is the same length as the split rails.

Insert corner brackets into side EconoFrame rails.

Insert two corner brackets into each end of the solid side rail. Insert one corner bracket into each end of each split side rail. **Fig. 1 & Fig. 2**

Note: Tension tabs on corner brackets face towards outside of frame.

Step 2

Finish assembling frame by following sequence in **Fig. 3**.

Step 3

Install wall mounting hangers using either nails or screw. Hammer nails into wall or use a Phillips head screwdriver for screws. **Fig. 4**

Step 4

Slide EconoFrame onto wall mounting hangers. **Fig 5**

Step 6

Insert poster. **Fig 6**

Note: The EconoFrame shown here is a round profile. It is available in either square or round profile.

