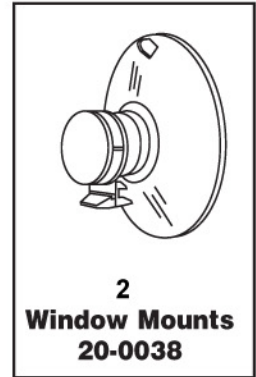
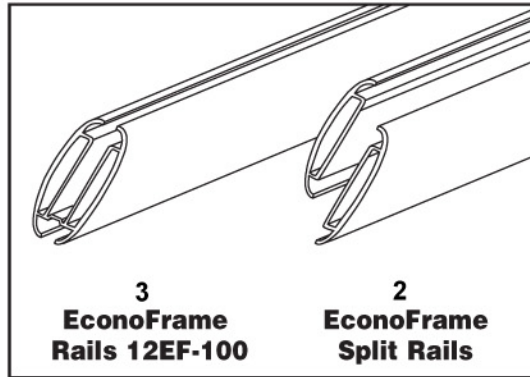
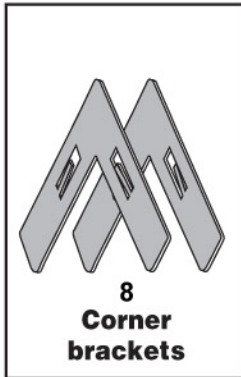


## Parts



## Instructions for Hanging

### Step 1

Locate the two split rails and the solid rail that is the same length as the split rails.

Insert corner brackets into side EconoFrame rails. Insert two corner brackets into each end of the solid side rail. Insert one corner bracket into each end of each split side rail. Fig. 1 & Fig. 2

Note: Tension tabs on corner brackets face towards outside of frame.

### Step 2

Slide the Window Mounts into the top rail of the EconoFrame rail. Fig. 3

### Step 3

Finish assembling frame following the sequence in Fig. 4.

### Step 4

Insert poster. Fig 5

Note: For best performance when first applied and occasionally thereafter, press the middle of the cup (on the cap) to “burp” extra air out.

