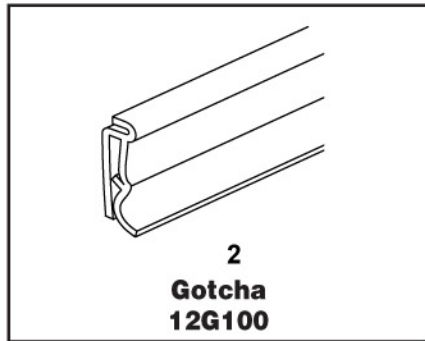


## Parts



## Instructions For Hanging

### Step 1

Place poster on a flat surface. Snap the Gotcha Holder open and insert poster (top and bottom). To close, snap the Gotcha Holder shut. **Fig. 1**  
**Note:** It is easier to open and close the Gotcha Holder by starting at one end and working your way down the holder.

### Step 2

Insert Gotcha Clips into slot on backside of the top Gotcha Holder only. (You should hear a "SNAP" when the clips are inserted properly). **Fig. 2**

**Note:** For best results, place the clips 1/3 of the way in from each end on the top Gotcha Holder.

### Step 3

Suspend poster.

### Important note:

Please save and reuse the Gotcha Holder and Gotcha Clips for future projects.

