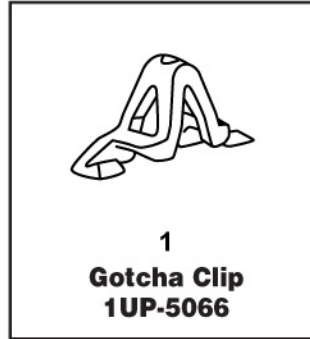
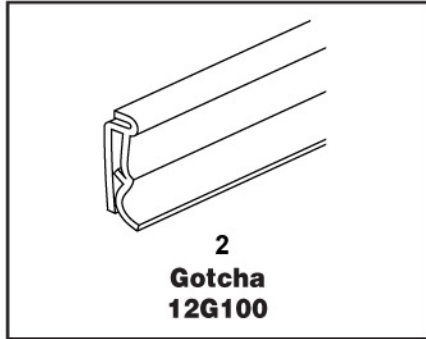


EconoSnap Instruction Sheet

Parts



Instructions For Hanging

Step 1

Place poster on a flat surface. Snap the Gotcha Holder (top and bottom) open so hinge is turned up as far as possible. Insert graphic completely into holder until edge of graphic meets top of holder. To close, snap the Gotcha Holder shut.

Fig. 1

Note: It is easier to open and close the Gotcha Holder by starting at one end and working your way down the holder. With large or curling graphics, it may be easier to insert graphic at one end and slide into holder from one end to another.

Step 2

Insert OneUp Gotcha Clips into slot on the backside of the top Gotcha only. (You should hear a SNAP" when the clips are inserted properly).

Fig. 2

Note: For best results, place the clip in the center of the top Gotcha Holder. Fig. 3

Step 3

Suspend poster.

Important note:

Please save and reuse the Gotcha Holder and the OneUp Gotcha Clip for future projects.

