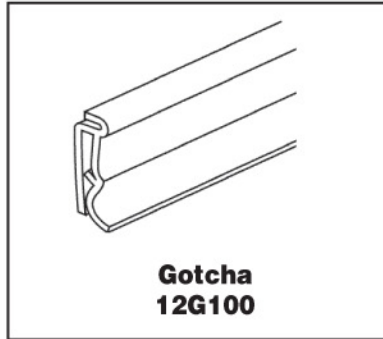


Parts



Instructions For Hanging

Step 1

Place poster on a flat surface. Snap the Gotcha Holder (top and bottom) open so hinge is turned up as far as possible. Insert graphic completely into holder until edge of graphic meets top of holder. To close, snap the Gotcha Holder shut. **Fig. 1**
Note: It is easier to open and close the Gotcha Holder by starting at one end and working your way down the holder. With large or curling graphics, it may be easier to insert graphic at one end and slide into holder from one end to another.

Step 2

Note: For OneUp applications, the Gotcha Holder is conveniently marked in the center. Find the mark and insert the OneUp Gotcha Clip into slot on backside of the top Gotcha only. (You should hear a “SNAP” when the clips are inserted properly). **Fig. 2**

Step 3

Place the hooks of the suction cups through the holes in the Gotcha Clips and press the Suction Cups firmly and evenly onto a clean window surface.

Important note:

Please save and reuse the Gotcha Holder and Gotcha Clips for future projects.

