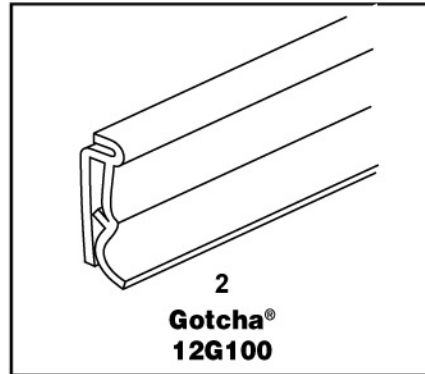
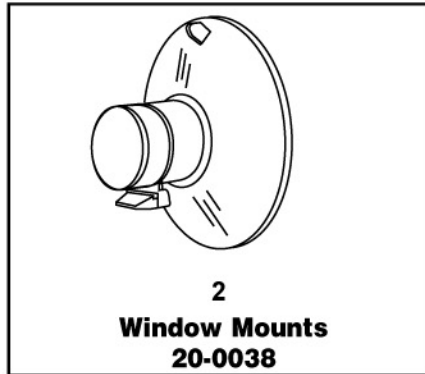


Parts

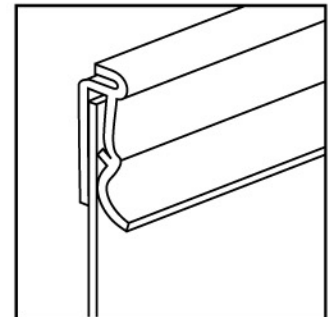
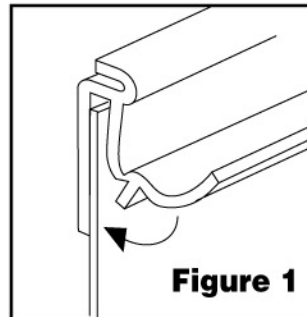


Instructions for Hanging

Step 1

Place poster on a flat surface. Snap the Gotcha (top and bottom) open so hinge is turned up as far as possible. Insert graphic completely into holder until edge of graphic meets top of holder. To close, snap the Gotcha shut. **Fig. 1**

Note: It is easier to open and close the Gotcha by starting at one end and working your way down the holder. With large or curling graphics, it may be easier to insert graphic at one end and slide into holder from one end to another.



Step 2

Attach the Window Mounts to the Gotcha. You should hear a “Snap” when the clip is properly seated. **Fig. 2**

Note: For best results, place the suction cup clips 1/3 of the way in from each end on the top holder.

Step 3

Prepare the window and suction cups by making sure they are clean and free of dust and dirt. Press the suction cups firmly to the window.

Important Note:

For best performance when first applied and occasionally thereafter, press the middle of the cup (on the cap) to “burp”

