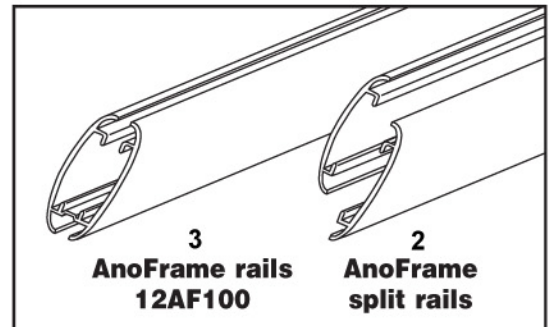
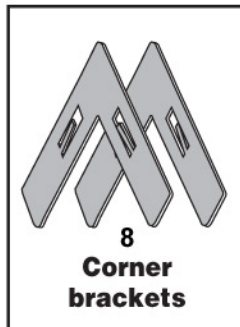


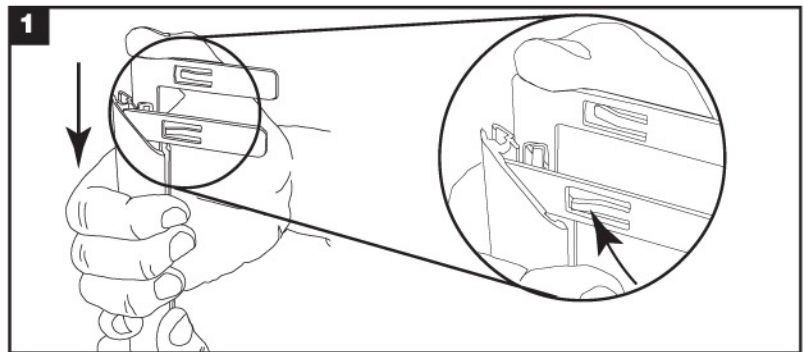
## Parts



## Instructions for Assembly

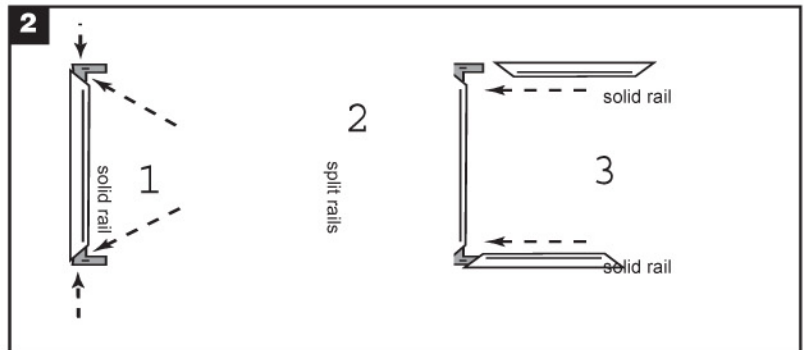
### Step 1

Assemble frame except for split rails. Insert corner brackets into AnoFrame sides. Fig. 1  
 Note: Assembly brackets tension tabs face towards outside of frames. Split rail side is made up of 2 separate pieces.

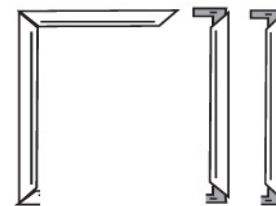


### Step 2

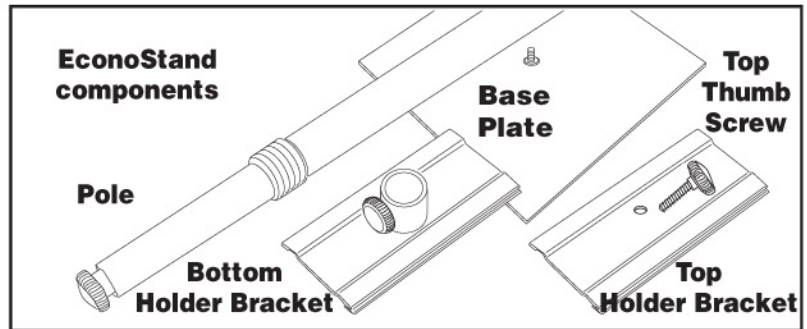
Insert corner brackets into split rails and into rail opposite split rail as shown in Fig. 2. Assemble frame following diagram steps 1 thru 3, sliding sides together in the order shown.



\* Assemble frame except for split rails.



(continued on other page)



### Instructions for Assembly

#### Step 3

Assemble bottom holder bracket onto lower pole section (this is the thicker section of the pole).

#### Step 4

Screw pole onto baseplate. Tighten securely.

#### Step 5

Place stand upright. Using thumbscrew at top of pole, attach top holder bracket onto pole top.

#### Step 6

Slide top and bottom rails onto holder brackets.

#### Step 7

Assemble split rails onto side ends of solid rails, one inside and one outside of each side of the AnoFrame. Fig. 7 & 8

#### Step 8

Adjust height of stand as necessary.

