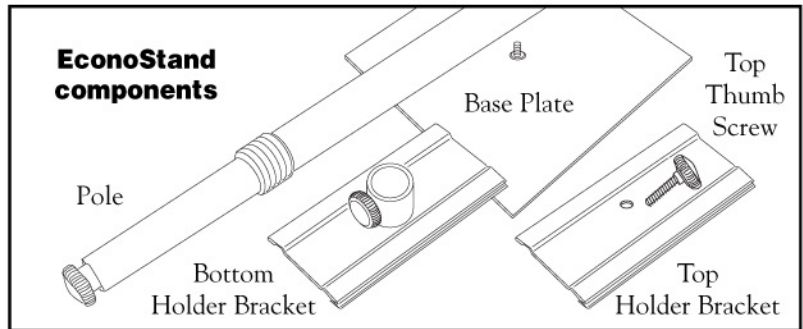


Parts



Instructions for Assembly

Step 1

Assemble bottom holder bracket onto lower pole section (this is the thicker section of pole).

Step 2

Screw pole onto baseplate. Tighten securely.

Step 3

Place stand upright. Using thumbscrew at top of pole, attach top holder bracket onto pole top.

Step 4

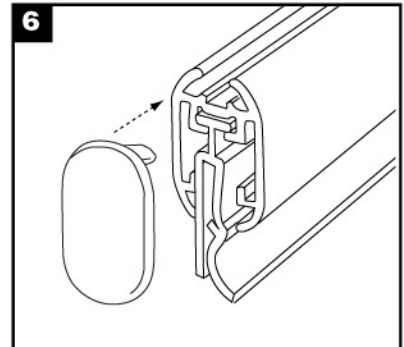
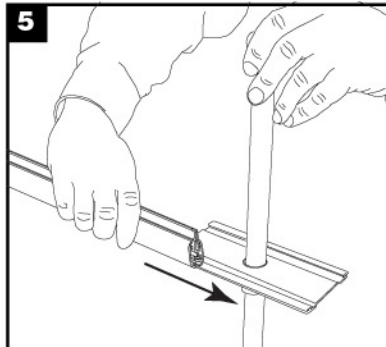
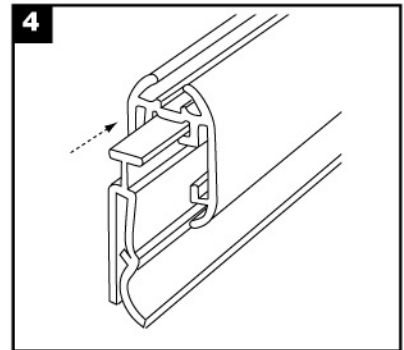
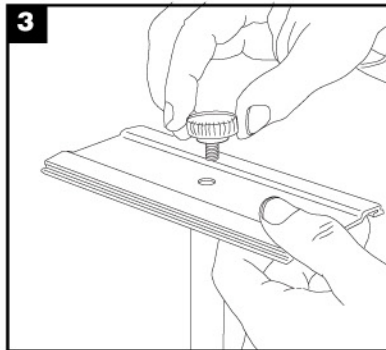
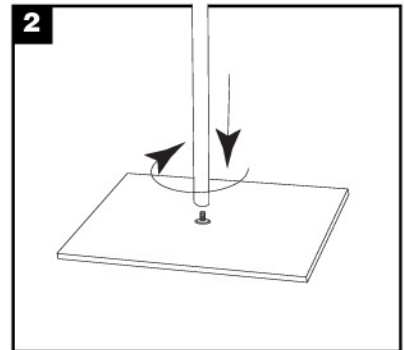
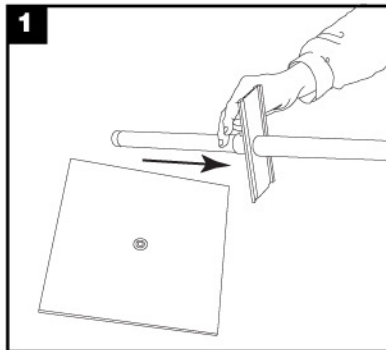
Insert T-Top Gotcha Holder into the AnoGotcha Shell.

Step 5

Slide AnoGotcha onto brackets.

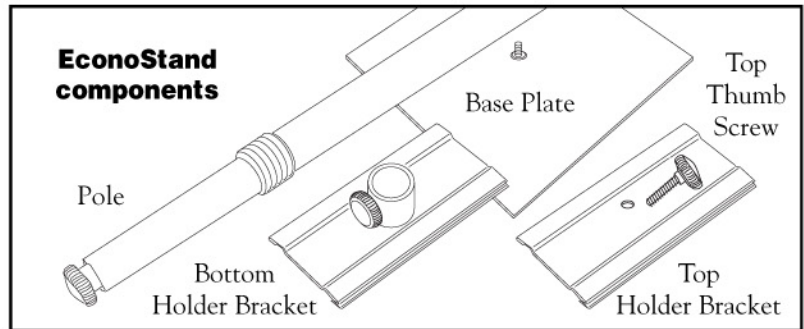
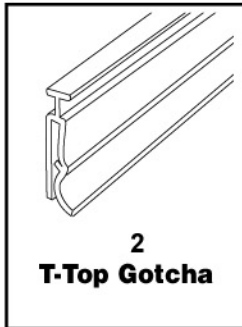
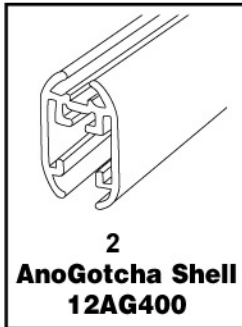
Step 6

Install end caps after assembly to brackets.



Continued on next page

Parts

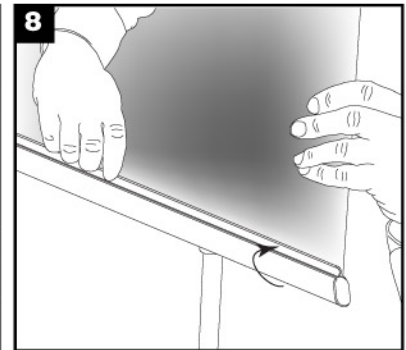
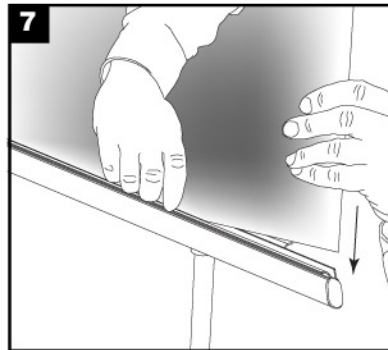


Instructions for Assembly

Step 7

Snap the AnoGotcha Holder completely open so that hinge is turned up as far as possible. Insert poster into holder until top of poster meets top of holder. To close snap the AnoGotcha Holder shut.

Note: With large or curling graphics, it may be easier to insert graphic at one end and slide into holder from one end to another.



Step 8

To close snap the AnoGotcha Holder shut.

Step 9

Adjust height of stand as necessary.

