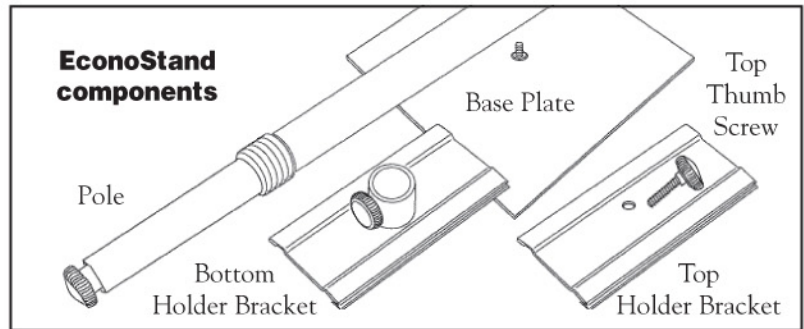
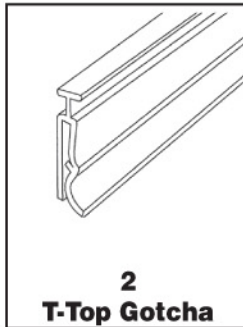
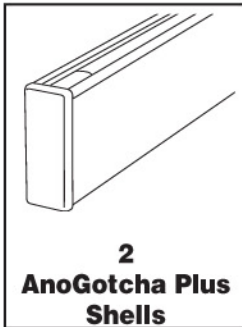


Parts



Instructions for Assembly

Step 1

Assemble bottom holder bracket onto lower pole section (this is the thicker section of pole).

Step 2

Screw pole onto baseplate. Tighten securely.

Step 3

Place stand upright. Using thumbscrew at top of pole, attach top holder bracket onto pole top.

Step 4

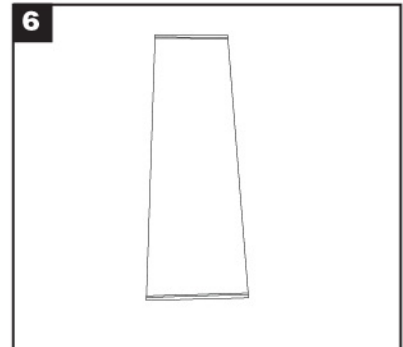
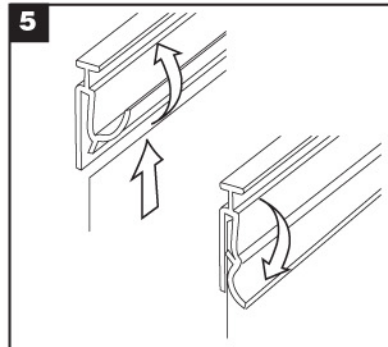
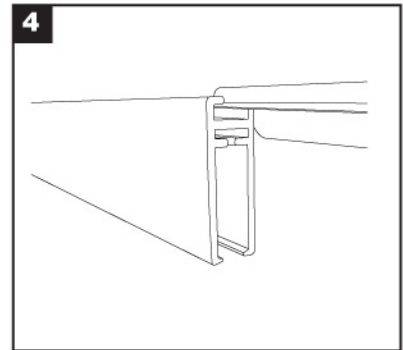
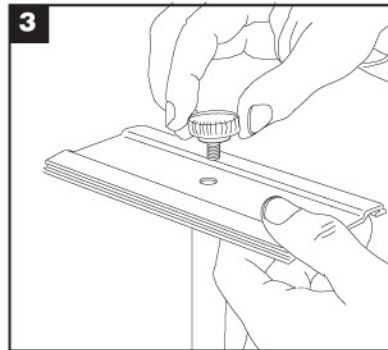
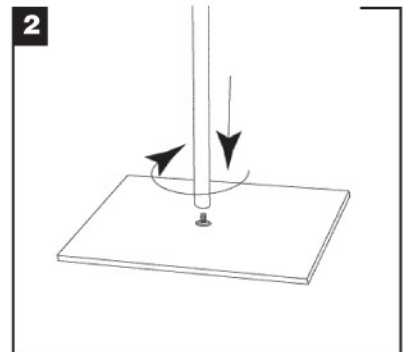
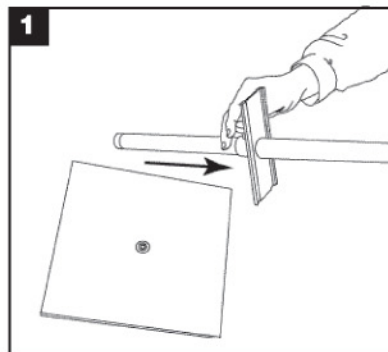
Slide the Anogotcha Shells onto top and bottom brackets of EconoStand.

Step 5

Place poster on a flat surface. Snap the Gotcha holder open so hinge is turned up as far as possible. Insert graphic completely into holder until edge of graphic meets top of holder. To close, snap the Gotcha holder shut.

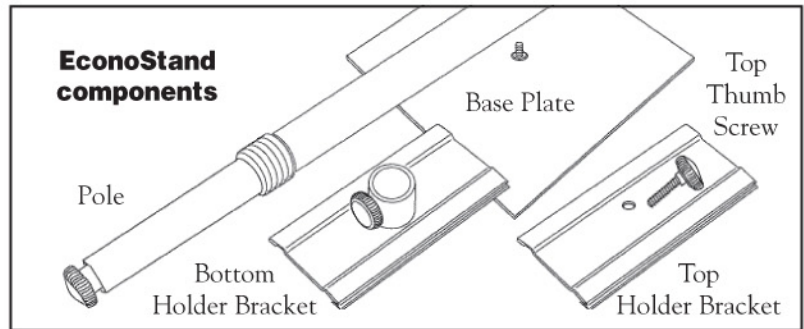
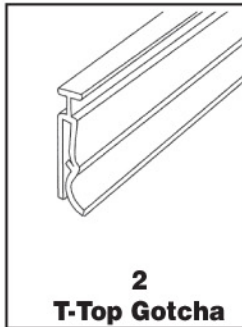
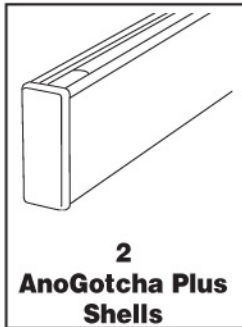
Step 6

Your graphic should have Gotcha inserts attached to the top and bottom.



Continued on next page

Parts



Instructions for Assembly

Step 7

Insert Gotcha holders with graphic already inserted into the AnoGotcha Plus shells.

Step 8

Push end caps onto each end of all 4 AnoGotcha Plus Shells.

Step 9

Adjust height of stand as necessary.

