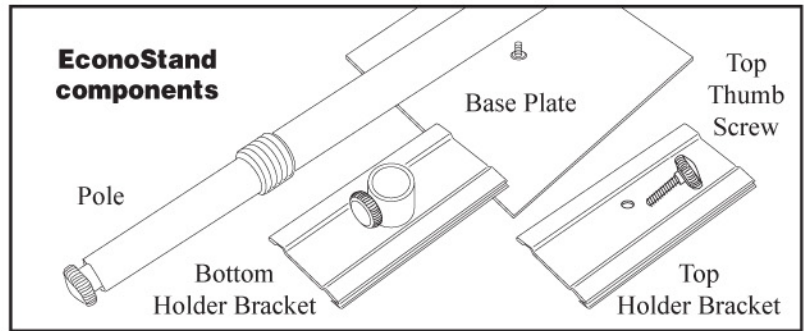
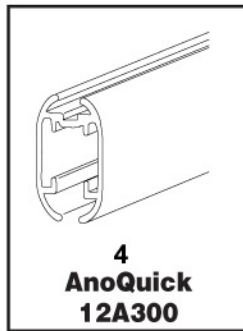
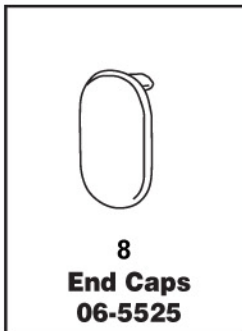


Parts



Instructions For Assembly

Step 1

Assemble bottom holder bracket onto lower pole section (this is the thicker section of the pole).

Step 2

Screw pole onto baseplate. Tighten securely.

Step 3

Place stand upright. Using thumbscrew at top of pole, attach top holder bracket onto pole top.

Step 4

Prepare edges of graphic. Place the graphic on tabletop with one edge at the table edge. Using the AnoQuick Holder run it across the graphic edge, crushing it slightly. **Fig. 4** Push the holder on the graphic.

Step 5

Slide AnoQuick Holder onto brackets. Install endcaps after assembly to brackets.

Step 6

Adjust height of stand as necessary.

