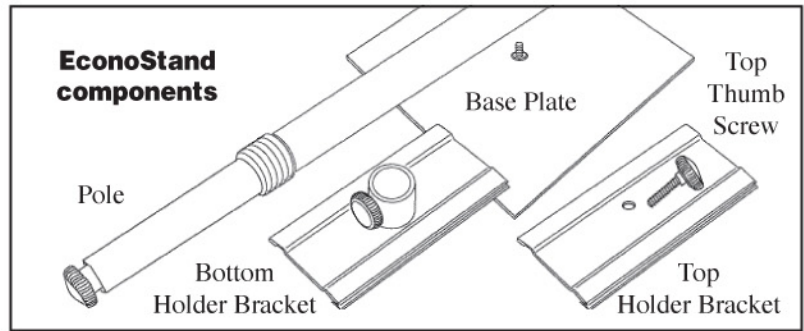
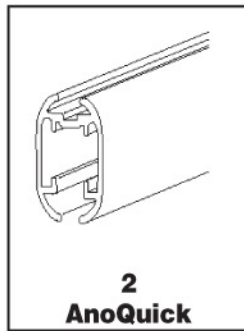
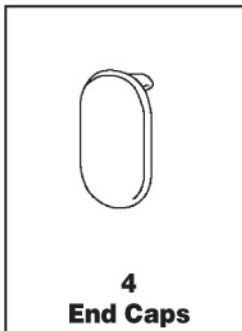


Parts



Instructions For Assembly

Step 1

Assemble bottom holder bracket onto lower pole section (this is the thicker section of the pole).

Step 2

Screw pole onto baseplate. Tighten securely.

Step 3

Place stand upright. Using thumb-screw at top of pole, attach top holder bracket onto pole top.

Step 4

Slide AnoQuick Holders onto brackets.

Step 5

Insert dowel into sown pocket at top and bottom of graphic. Insert dowel (with fabric) into the AnoQuick holder. Install endcaps after assembly to brackets.

Step 6

Adjust height of stand as necessary.



Final Look

