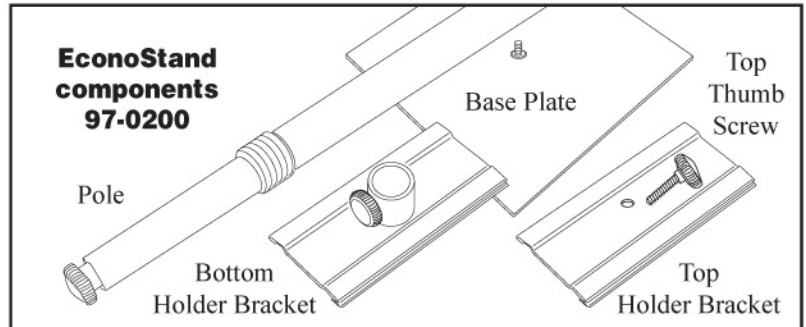
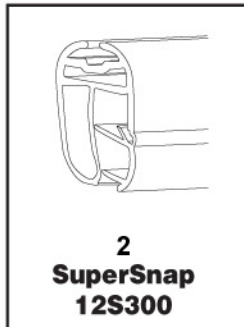


# EconoStand™

# Instruction Sheet

## Parts



## Instructions For Assembly

### Step 1

Assemble bottom holder bracket onto lower pole section (this is the thicker section of the pole).

### Step 2

Screw pole onto baseplate. Tighten securely.

### Step 3

Place stand upright. Using thumbscrew at top of pole, attach top holder bracket onto pole top.

### Step 4

Slide SuperSnap Holder onto brackets.

### Step 5

Snap open the SuperSnap holder and insert your graphic (top and bottom). To close, snap the SuperSnap shut. Push endcaps into place.

### Step 6

Adjust height of stand as necessary.

